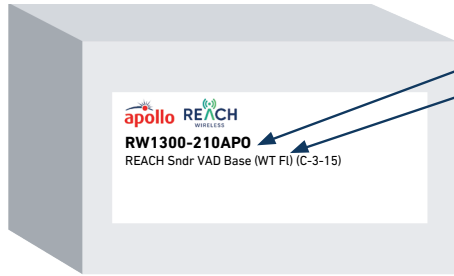


## QUICK START GUIDE



### THE BOX

Product Part Number  
Product Description

### INSIDE THE BOX

- 1 x Sounder VAD Base (White Flash)
- 2 x CR123A batteries
- 3 x Screws
- 1 x Battery cover
- 1 x Quick start guide

### MOUNTING STEPS

Proceed as follows to complete the device installation.

### IMPORTANT TO CONSIDER

When mounting a wireless device, a comprehensive radio survey should have been carried out to establish the location that provides the best coverage and optimum reach. Taking into consideration the building structure and materials, the survey identifies the wireless infrastructure required and product locations for optimum performance, identifying any factor that could prevent radio integrity.

Avoid fixing or mounting the unit close to the following:

- Equipment that utilises large electrical currents
- Large metal objects or structures
- Fluorescent lighting fittings
- Metal ceiling structures
- IT cabling.

Keep 2 meters minimum spacing between other wireless equipment in the area to avoid signal interference.

EN54 approved environmental temperature range is -10°C to +55°C

### UNBOXING

- When unboxing the Sounder VAD Base you will find the unit and its mounting base.
- This comes with pre-formed mounting holes to mount the mounting base.
- A securing screw is fitted to ensure unwanted removal of the attached device.
- Two screws are supplied to fix the sounder to the mounting base and one screw (optional) can be used to fix the battery cover, when the base is topped by the lid.
- DIP switches are found inside the sounder to select your desired tone and volume.

For more information, please refer to the user manual. Available on [apollo-fire.co.uk](http://apollo-fire.co.uk)

Scan QR code for full user manual



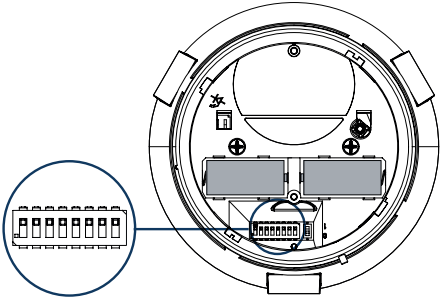
RW1300-210APO

<div style="text-align: right; font-size: 2em; font-weight: bold; color: teal;">1</div> <p>Remove the mounting base from the sounder.</p>	<div style="text-align: right; font-size: 2em; font-weight: bold; color: teal;">2</div> <p>MOUNTING HOLES</p> <ul style="list-style-type: none"> <li>• Locate the mounting holes and mark them using a pencil on the desired surface you are drilling.</li> <li>• Using a suitable-sized drill bit (6 mm) drill the marked screw points on your chosen surface.</li> <li>• Ensure you use the correct fixings for the type of surface you are mounting to.</li> <li>• Screw the base to the ceiling using all fixing holes and appropriate-sized screws.</li> </ul>
<div style="text-align: right; font-size: 2em; font-weight: bold; color: teal;">3</div> <p>FIXING HOLES TONE AND VOLUME SELECTION PROGRAMMING SWITCH</p> <ul style="list-style-type: none"> <li>• Put the sounder back onto the mounting base and secure with the two screws supplied.</li> <li>• Select the tone and volume you require (see next page).</li> <li>• Ensure the programming switch in the base of the sounder is in position ON.</li> </ul>	<div style="text-align: right; font-size: 2em; font-weight: bold; color: teal;">4</div> <p>BATTERY A LODGEMENT BATTERY B LODGEMENT LED INDICATOR</p> <ul style="list-style-type: none"> <li>• Fit the 2x CR123A batteries ensuring you have checked they are the correct way round observing the polarity indications on the base of the sounder base.</li> <li>• The LED will signal 4 times red.</li> <li>• Move the switch in the base of the sounder base to position 1.</li> <li>• The LED will blink few seconds green and then signal alternatively green/red 4 times.</li> <li>• Ensure you replace the battery cover as this forms part of the sounder base anti tamper protection.</li> </ul>
<div style="text-align: right; font-size: 2em; font-weight: bold; color: teal;">5</div> <p>BATTERY COMPARTMENT COVER FIXING HOLE FOR OPTIONAL SCREW</p> <p>Fit the battery compartment cover on the base.</p>	<div style="text-align: right; font-size: 2em; font-weight: bold; color: teal;">6</div> <ul style="list-style-type: none"> <li>• Fit the detector or the blanking cap to the top of the device and secure the safety screw using a M3 allen key.</li> </ul>

## QUICK START GUIDE

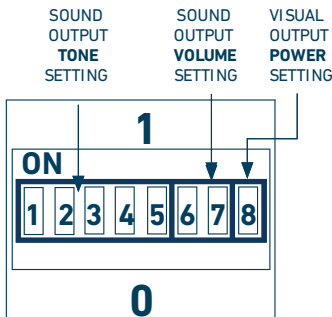
### STONE AND VOLUME SELECTION

Use the DIP switch on the back of the sounder body to select tone and volume. Primary and secondary tone are selected according to panel setting.



SWITCH NUMBER	DIP SWITCH GROUP FUNCTION	NOTES
1	SOUND OUTPUT TONE SETTING	CHECK TONE SET TABLES
2		
3		
4		
5		
6	SOUND OUTPUT VOLUME SETTING	CHECK SOUND VOLUME TABLE
7		
8	VISUAL OUTPUT POWER SETTING	1 = high; C 3-10 (EN54-23) 0 = low; 0 1,7-6 (EN54-23)

SOUND VOLUME LEVEL	DIP CONFIGURATION
HIGH*	11
MEDIUM HIGH	01
MEDIUM LOW	10
LOW	00



Apollo Tone Pair Number	DIP Switch Value	Primary Tone (Evacuation)			Secondary Tone (Alert)		
		Temporal Pattern Icon	Temporal Pattern Description	Frequencies	Temporal Pattern Icon	Temporal Pattern Description	Frequencies
1*	0000		Apollo Fire Systems Evacuate Tone	660Hz for 0.5s, 925Hz for 0.5s		Apollo Fire Systems Alert Tone	1s off, 925Hz for 1s
2*	00001		Alternating warble (Hochiki & Fullen)	925Hz for 0.25s, 626Hz for 0.25s		Continuous (Hochiki & Fullen)	925Hz
3*	00010		Sweep (med) @ 1Hz	800Hz - 970Hz @ 1Hz		Continuous	970Hz Continuous (BS5839-1:2002)
4*	00011		Sweep (fast) @ 9Hz	2500Hz-2850Hz @ 9Hz		Continuous	2850Hz continuous
5*	00100		Netherlands - NEN 2575:2000 (Dutch Slow Whoop)	500 - 1200Hz for 3.5s, 0.5s OFF		Continuous	825Hz continuous
6*	00101		German DIN 33 404	1200Hz - 500Hz Sweep 1s (1Hz)		Continuous	825Hz Continuous
7*	00110		Swedish Fire Signal	660Hz 0.15s ON, 0.15s OFF		Swedish All Clear	660Hz Continuous
8	00111		Australia Fast-rise Sweep (AS1670:4-2004 Evacuation tone)	3x (500Hz - 1200Hz for 0.5s, 0.5s off), 1s off		Australia AS1670:4-2004 Alert tone	420Hz 0.625s ON, 0.625s OFF
9	01000		New Zealand Slow-rise Sweep Evacuation Tone (NZS 4512)	500Hz - 1200Hz, 3.75s Sweep, 0.25s OFF		New Zealand Alert Tone (NZS 4512)	420Hz 0.625s ON, 0.625s OFF
10	01001		US Temporal LF (ISO 8201) Low tone	3x(970Hz 0.5s ON, 0.5s OFF), 1s OFF		Continuous	970Hz Continuous
11	01010		US Temporal HF ISO 8201 High tone	3x(2850Hz 0.5s ON, 0.5s OFF), 1s off		Continuous	2850Hz continuous
12	01011		Simulated Bell - Continuous	827Hz for 16ms followed by 990Hz for 16ms.		Simulated Bell - Intermittent	827Hz for 16ms followed by 990Hz for 16ms for 1s then 1s off.
13	01100		Emergency Warning Siren	600Hz - 1200Hz 4s followed by 1200 - 600Hz 4s		Emergency Warning Siren All Clear	1200Hz Continuous
14	01101		France - AFNOR NF S 32 001	554Hz, 0.1s, 440Hz, 0.4s		Continuous	970Hz Continuous
15	01110		Australia Evacuation (AS7240-3)	520Hz, 0.5s ON, 0.5s OFF x 3, 1s OFF		Australia Alert (AS7240-3)	520Hz +/-5%, 0.5s ON, 3.5s OFF
16	10000		Silent Tone (Reach Wireless ONLY)	0Hz Continuous		Silent Tone (Reach Wireless ONLY)	0Hz Continuous

\*EN 54-3 approved volume

\* EN 54-3 approved volume